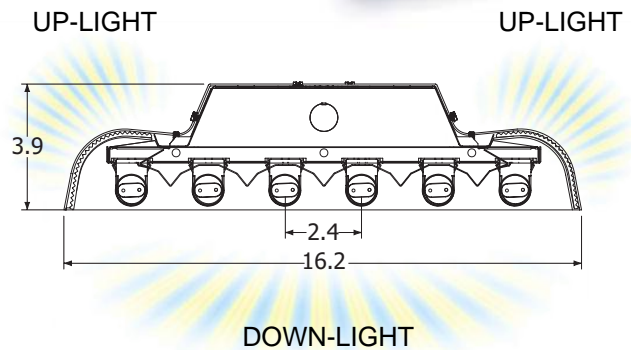
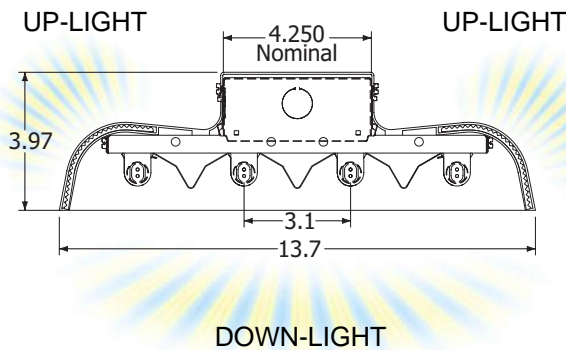




## 4 - 6-Lamp T5 / T8



**Modular Highbay Kits** from JK Lighting feature common parts so that you can offer your customers a wide variety of highbay options with minimal stocking requirements. Choose the basic Express™ model or ACR™ (pictured above) with upgraded features.

**Flexible:** Engineered for T5 or T8 lamps. Compound Acrylic and high-reflectance white or Miro4™ specular optics serve a wide range of high and low bay applications.

**Sophisticated:** High-impact injection molded ABS end cap provides a sleek finish for any application. Engineered Linear Acrylic Reflector design combines efficient reflection and refraction to manage brightness while delivering even indirect illumination.

**Clean:** Convective air path created through the compound reflector panel draws airborne particles away from the upward facing optical surfaces.

**Cool:** Strategically located venting maintains efficient lamp operation while cooling the ballast cavity.

### Specifications

**Reflector Material:** Miro4™ or Baked White Enamel & Virgin DR Acrylic

**Housing Material:** Die Formed CRS

**End Caps:** High impact injection molded ABS

### ACR Highbay/Lowbay Reflector Options

4-Lamp Reflectors	
JK ACR RMT5 446	Acrylic HiBay Miro 4-Lamp T5
JK ACR RWT5 446	Acrylic HiBay White 4-Lamp T5
6-Lamp Reflectors	
JK ACR RMT5 646	Acrylic HiBay Miro 6-Lamp T5
JK ACR RWT5 646	Acrylic HiBay White 6-Lamp T5

### JK ACR Highbay/Lowbay Reflector Options

4-Lamp Reflectors	
JK ACR RMT8 448	Acrylic HiBay Miro 4-Lamp T8
JK ACR RWT8 448	Acrylic HiBay White 4-Lamp T8
6-Lamp Reflectors	
JK ACR RMT8 648	Acrylic HiBay Miro 6-Lamp T8
JK ACR RWT8 648	Acrylic HiBay White 6-Lamp T8



## 4 - 6-Lamp T5 / T8

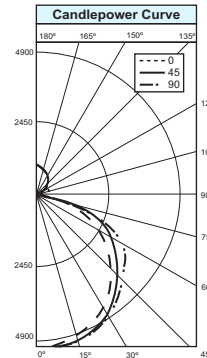
### 4-Lamp T5 - T8 Photometric Data

**JK ACR RWT5 446**

**Lamps: (4) 54W T5 FP54I835IHO Linear Fluorescents**

**ZONAL LUMEN SUMMARY**

ZONE	LUMENS	%BARELAMP	%LUMINAIRE
0-30	4241	21.2	21.3
0-40	7045	35.2	35.4
0-60	13012	65.1	65.4
0-90	17309	86.5	87.0
90-120	678	3.4	3.4
90-130	986	4.9	5.0
90-150	1845	9.2	9.3
90-180	2594	13.0	13.0
0-180	19903	99.5	100.0



**COEFFICIENTS OF UTILIZATION**

Room Cavity Ratio	CEILING CAVITY REFLECTANCE											
	80				70				50			
	70	50	30	10	70	50	30	10	50	30	10	10
0	115	115	115	115	111	111	111	111	103	103	103	103
1	105	100	96	92	101	96	92	89	90	87	84	84
2	95	86	79	74	91	83	77	72	78	73	68	68
3	86	75	67	60	82	73	65	59	68	62	56	56
4	78	66	57	51	75	64	56	50	60	53	48	48
5	72	59	50	43	69	57	49	42	53	46	41	41
6	66	53	44	37	63	51	43	37	48	41	35	35
7	61	48	39	33	59	46	38	32	44	36	31	31
8	57	43	35	29	55	42	34	28	40	33	28	28
9	53	40	31	26	51	39	31	25	36	30	25	25
10	50	36	29	23	48	35	28	23	34	27	22	22

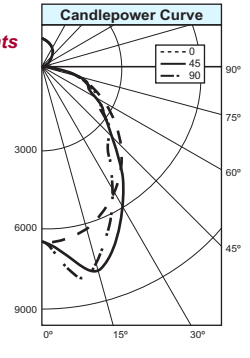
ITL Report Number: ITL55144-2 (Tested at 35° C Ambient)

**JK ACR RMT5 446**

**Lamps: (4) 54W T5 FP54I835IHO Linear Fluorescents**

**ZONAL LUMEN SUMMARY**

ZONE	LUMENS	%BARELAMP	%LUMINAIRE
0-30	5719	28.6	28.3
0-40	8961	44.8	44.4
0-60	14536	72.7	72.0
0-90	17800	89.0	88.2
90-120	605	3.0	3.0
90-130	882	4.4	4.4
90-150	1673	8.4	8.3
90-180	2379	11.9	11.8
0-180	20179	100.9	100.0



**COEFFICIENTS OF UTILIZATION**

Room Cavity Ratio	CEILING CAVITY REFLECTANCE											
	80				70				50			
	70	50	30	10	70	50	30	10	50	30	10	10
0	117	117	117	117	113	113	113	113	106	106	106	106
1	108	103	99	96	104	100	96	93	93	90	88	88
2	98	91	84	79	95	88	82	77	82	77	73	73
3	90	80	72	66	87	78	70	65	73	67	62	62
4	83	71	63	57	80	69	61	55	65	59	53	53
5	76	64	55	49	73	62	54	48	59	52	47	47
6	71	58	49	43	68	56	48	42	53	46	41	41
7	66	53	44	38	63	51	43	38	49	42	37	37
8	61	48	40	34	59	47	39	34	45	38	33	33
9	57	44	36	31	55	43	36	31	41	34	30	30
10	54	41	33	28	52	40	33	28	38	32	27	27

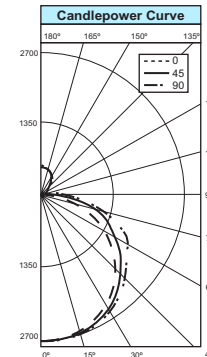
ITL Report Number: ITL55144-2 (Tested at 35° C Ambient)

**JK ACR RWT8 448**

**Lamps: (4) 32W T8 FO32I835 Linear Fluorescents**

**ZONAL LUMEN SUMMARY**

ZONE	LUMENS	%BARELAMP	%LUMINAIRE
0-30	2242	19.0	20.2
0-40	3734	31.6	33.7
0-60	6939	58.8	62.6
0-90	9779	82.9	88.3
90-120	361	3.1	3.3
90-130	513	4.3	4.6
90-150	920	7.8	8.3
90-180	1300	11.0	11.7
0-180	11079	93.9	100.0



**COEFFICIENTS OF UTILIZATION**

Room Cavity Ratio	CEILING CAVITY REFLECTANCE											
	80				70				50			
	70	50	30	10	70	50	30	10	50	30	10	10
0	109	109	109	109	105	105	105	105	98	98	98	98
1	98	93	89	84	94	90	86	82	84	80	77	77
2	88	80	73	67	85	77	71	65	72	67	62	62
3	80	69	61	55	77	67	60	54	63	56	51	51
4	73	61	52	46	70	59	51	45	55	48	43	43
5	67	54	45	39	64	53	44	38	49	42	37	37
6	62	49	40	34	59	47	39	33	44	37	32	32
7	57	44	35	29	55	43	35	29	40	33	28	28
8	53	40	32	26	51	39	31	26	37	30	25	25
9	49	36	29	23	47	35	28	23	34	27	22	22
10	46	34	26	21	44	33	25	21	31	25	20	20

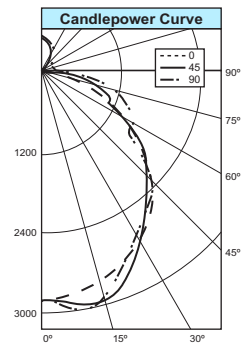
ITL Report Number: ITL55141

**JK ACR RMT8 448**

**Lamps: (4) 32W T8 FO32I835 Linear Fluorescents**

**ZONAL LUMEN SUMMARY**

ZONE	LUMENS	%BARELAMP	%LUMINAIRE
0-30	2753	23.3	24.0
0-40	4462	37.8	38.9
0-60	7754	65.7	67.7
0-90	10300	87.3	89.9
90-120	314	2.7	2.7
90-130	441	3.7	3.8
90-150	803	6.8	7.0
90-180	1159	9.8	10.1
0-180	11459	97.1	100.0



**COEFFICIENTS OF UTILIZATION**

Room Cavity Ratio	CEILING CAVITY REFLECTANCE											
	80				70				50			
	70	50	30	10	70	50	30	10	50	30	10	10
0	113	113	113	113	109	109	109	109	102	102	102	102
1	103	98	93	89	99	94	90	87	88	85	82	82
2	93	85	78	72	89	82	76	70	77	72	67	67
3	85	74	66	60	81	72	64	58	68	61	56	56
4	77	66	57	50	74	64	56	49	60	53	48	48
5	71	59	50	43	68	57	49	43	54	47	41	41
6	66	53	44	38	63	51	43	37	48	41	36	36
7	61	48	39	33	59	46	38	33	44	37	32	32
8	57	44	35	30	55	42	35	29	40	33	28	28
9	53	40	32	27	51	39	31	26	37	30	26	26
10	50	37	29	24	48	36	29	24	34	28	23	23

ITL Report Number: ITL55142

**For Customer Support and Service Contact us at:**

JK Lighting Systems • P.O. Box 8867 • Stockton, CA 95208 • Ph: (209) 464-7539 • Fx: (209) 464-8656