



Lighting Systems

Up Light Canopy INDUCTION

Features

The JK Lighting Up Light Canopy is UL listed for wet locations.

Housing

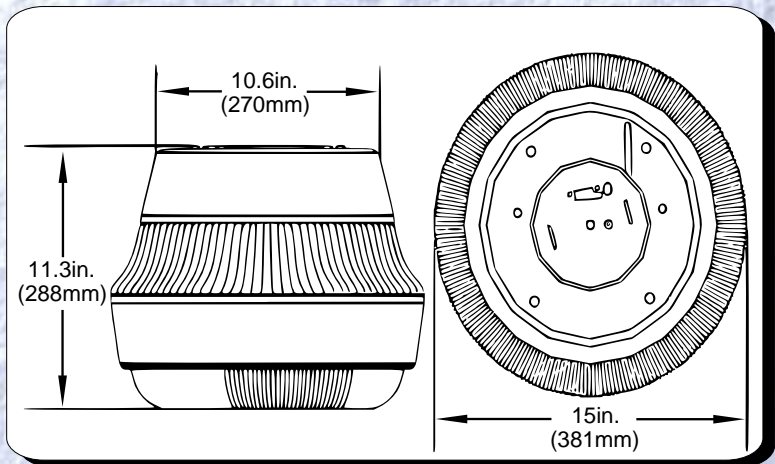
The housing is manufactured of heavy duty die cast aluminum with a white powder coat finish. A weatherproof silicone gasket is present to prevent leakage from the outside. High impact resistant poly carbonate lens is present to protect the lamp. A one piece designed anodized aluminum reflector is used for the best possible light efficiency.

Applications

- Parking areas
- Entrances
- Underpasses
- Freezers
- Recreation areas
- Walk ways
- Loading docks
- Cold storage



ISO9002 compliant



- Options :**
- Photocell
 - In-Line fuse
 - Custom Color Available
 - Quartz Restrike

Select an appropriate choice from each column

Typical ordering number
JK-85-IND-ULC-120-PC

Also available in HID applications

Prefix	Wattage	Lamp Type	Fixture Type	Voltage	Options
JK	55 85 100	IND = Induction 100,000 Hours	ULC = Up Light Canopy	120v 200v-277v	PC = Photocell F = In-Line Fuse

Lamp Included

SPECIAL NOTE:
When Ordering a Photocell the voltage must be designated.