



Lighting Systems

Up Light Canopy PSMH • HPS • MH

Features

The JK Lighting Up Light Canopy is UL listed for wet locations.

Housing

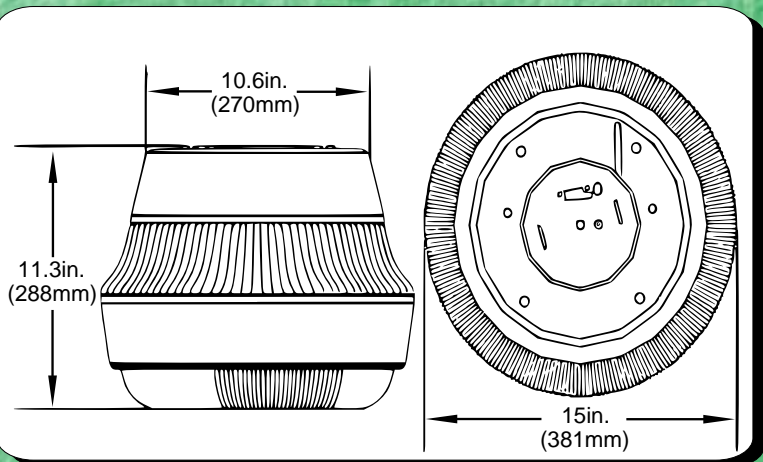
The housing is manufactured of heavy duty die cast aluminum with a white powder coat finish. A weatherproof silicone gasket is present to prevent leakage from the outside. High impact resistant poly carbonate lens is present to protect the lamp. A one piece designed anodized aluminum reflector is used for the best possible light efficiency.

Applications

- | | |
|---------------|------------------|
| Parking areas | Recreation areas |
| Entrances | Walk ways |
| Underpasses | Loading docks |



ISO9002 compliant



Options :

- Photocell
- In-Line fuse
- Custom Color Available
- Quartz Restrike

Select an appropriate choice from each column

Typical ordering number

JK-175-MH-ULC-120-PC

Also available in Induction applications

Prefix	Wattage	Lamp Type	Fixture Type	Voltage	Options	
JK	50 70 100 150 175	PSMH • HPS • MH PSMH • HPS • MH PSMH • HPS • MH PSMH • HPS • MH PSMH • MH	HPS = High Pressure Sodium MH = Metal Hallide PSMH = Pulse Start Metal Hallide	ULC = Up Light Canopy	120v MT 480v	PC = Photocell F = In-Line Fuse QS = Quartz Restrike

Lamp Included