



AVAILABLE WITH EITHER SPADE OR BULL NOSE END CAPS



SPADE



BULL NOSE

Application

- Open office ambient lighting for virtually glare free and shadow free illumination.

Finishes

- Bare 20 gauge roll formed steel housing in solid or perforated patterns.
- Customer to source local powder coating facilities for housing and die cast aluminum end caps

Reflectors:

- Enhanced anodized aluminum.

Features

- Units are shipped with die cast aluminum joiners installed for suspension and structural continuity.
- Designed to mount on exact 4 foot, 8 foot and 12 foot centers. Joiners will accept stems, single cable, and power cords as supplied by lighting fixture manufacturer.
- A computer designed optical system that maximizes the output producing very wide distribution for even ceiling brightness with mounting from 12 to 18 inches from the ceiling.
T5 and **T5HO** lamps efficiencies exceed 96% at 25 degree C ambient and over 100% at 35 degree C ambient.
 For **T8** lamps the efficiencies exceed 80% at 25 degree C ambient. ceiling.
- Architectural ends. There are two die cast aluminum designs available, "spade" and "bullnose" configurations. They are bolted to the die cast joiners for a complete architectural look.
- The ballast bracket is shipped as an assembly with lamp holder brackets and adjustable ballast bracket attached.
- Reflectors are slotted when used with the perforated housing.

Fixture comes unpainted

Pick Your Color
Not a generic pre-paint

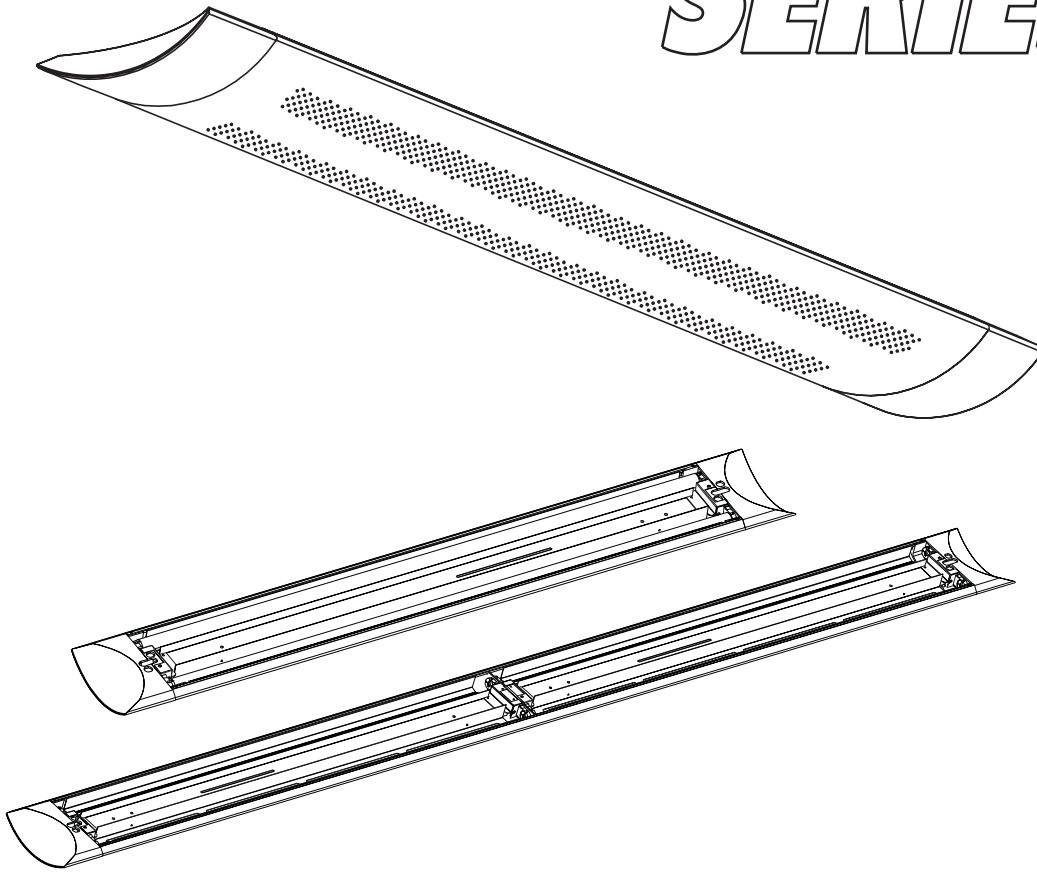
Optional Features

- The housings are roll formed which allows custom lengths with predictable results. For wall-mounted version. Please contact us for any optional features. Custom modifications in the physical specification and color are available for this fixture.

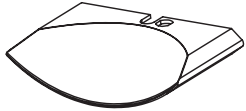
Typical ordering number **JKDI-880-254T5HO-48-SP-120**

Prefix	Fixture Type	T5 Lamp Type	T8 Lamp Type	End Caps	Voltage
K	DI = Direct - Indirect 880 Series	228-T5-48 = 2 F28 -28W T5 Lamps 48 " 328-T5-48 = 3 F28 -28W T5 Lamps 48 " 254T5HO-48 = 2 F54T5HO -54W 2 Lamps 48 " 354T5HO-48 = 3 F54T5HO -54W 3 Lamps 48 " 428-T5-96 = 4 F28T5 -28W 4 Lamps 96 " 628-T5-96 = 6 F28T5 -28W 6 Lamps 96 " 454T5HO-96 = 4 F54T5HO -54W 4 Lamps 96 " 654T5HO-96 = 6 F54T5HO -54W 6 Lamps 96 "	232-T8-48 = 2-32W T8 Lamps 48 432-T8- 6 =4 -32W T8 Lamps 6 632-T8-12 = 6-32W T8 Lamps 12 Available as special order	SP = SPADE BN = BULL NOSE	120v 277v MT

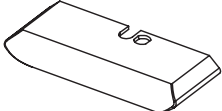
SERIES 880 LINEAR



**AVAILABLE WITH
EITHER SPADE OR
BULL NOSE
END CAPS**

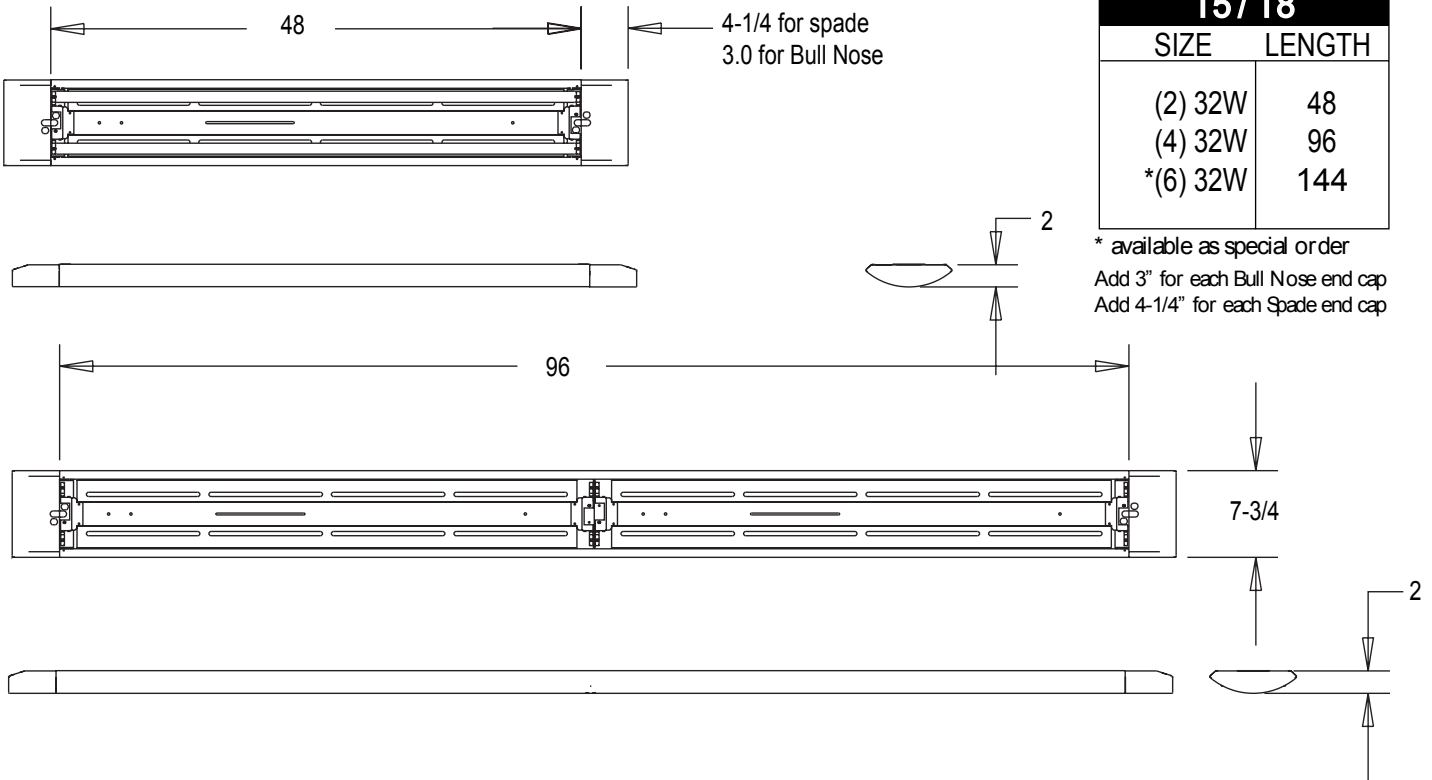


SPADE



BULL NOSE

T5 / T8	
SIZE	LENGTH
(2) 32W	48
(4) 32W	96
*(6) 32W	144



* available as special order
Add 3" for each Bull Nose end cap
Add 4-1/4" for each Spade end cap