

JK LIGHTING SYSTEMS

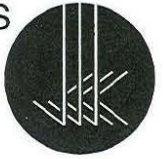
NEW FLUORESCENT LIGHTING FIXTURES AND CONVERSIONS



P.O BOX 8867
STOCKTON, CA 95208
(209) 464-7539



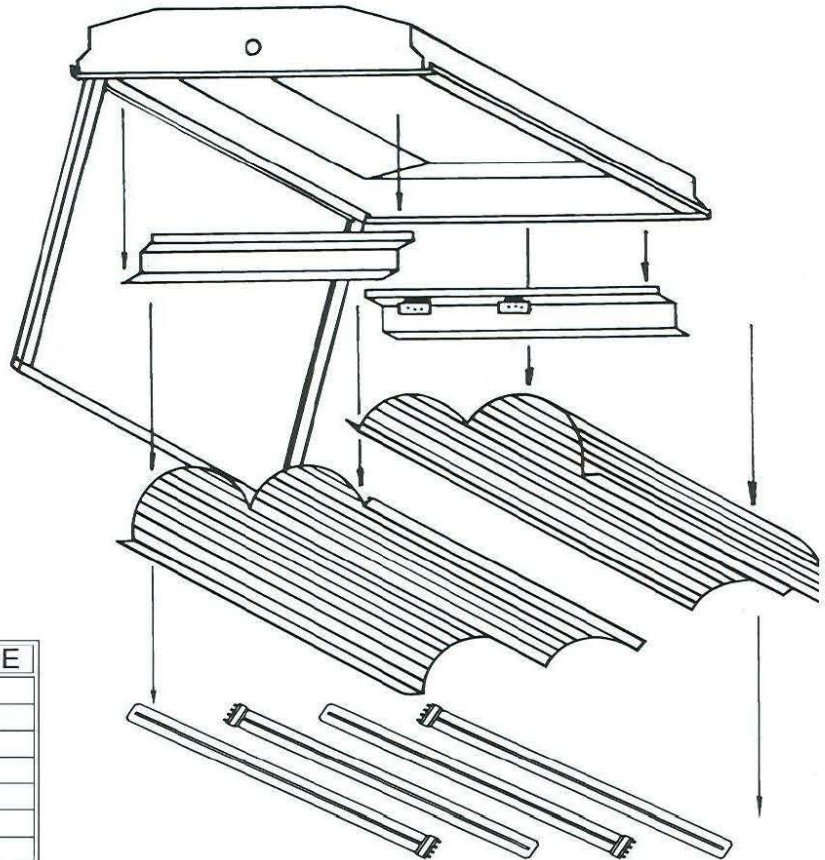
1707 EL PINAL
STOCKTON, CA 95205
FAX (209) 464-8656



JK Super Light Series Recessed Fixture

GENERAL DESCRIPTION

- ☆ Super Light is a energy saving replacement for 175 to 400 watt HID or florescent strip fixture in numerous applications.
- ☆ Super Light is designed with 2, 3, 4, 5, or 6 lamps. Fixtures can be ordered for 120 volt or 277 volt installations.
- ☆ Super Light reduces energy cost, yet still provides an efficient quantity and quality of light, suitable where ceiling hieghts are 30 feet or less.
- ☆ For greater energy saving each fixture can be selectively switched, utilizing number of lamps depending on lighting needs.



CATALOG #	LAMPS	WATTAGE
JK SUPER-RT-240	2	40
JK SUPER-RT-340	3	40
JK SUPER-RT-440	4	40
JK SUPER-RT-540	5	40
JK SUPER-RT-640	6	40
JK SUPER-RT-255	2	55
JK SUPER-RT-355	3	55
JK SUPER-RT-455	4	55
JK SUPER-RT-555	5	55
JK SUPER-RT-655	6	55