



### Features

The JK Lighting Sub Zero is UL listed.

### Housing

The housing is manufactured of heavy duty die cast aluminum with a powder coat dark bronze finish . A weatherproof silicone gasket is present to Prevent leakage form the outside. It is also equipped with a threaded 1/2" aperture for securing conduit. The clear poly carbonate diffuser is multi-patterned,injection molded, and UV inhibited.

### Applications

Freezer  
Cold Storage  
Food Processing  
Wet Locations

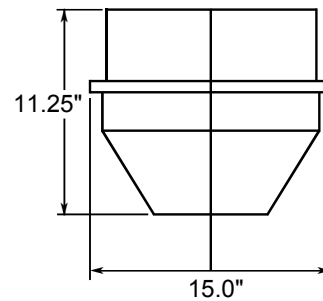


ISO9002 compliant



### Induction Lighting Benefits/Features

- \*Lifetime High Light Out Put
- \*High Reliability
- \*Economic, Environmentally Friendly
- \*Color Temp 2000-65000K
- \*Versatile and Natural Looking Light source
- \*Uniform, Predictable Lighting Results
- \* Remote Generator Installation
- \*Up to 100,000 Hours Lamp Life
- \*No Wattage Loss Through Generator
- \* Energy Savings up to 80%
- \*Low Lumen Depreciation
- \* Starts Time less than .5 sec.
- \*No Harmonic Distortion
- \* Instant start at -35 deg.C
- \* Color Maintained Throughout Life
- \* No Stroboscope Effect



Wattage	Lamp Life	Lumens	Start Time	CRI	Kelven Temp
80	100000	6000	<.5 SEC	80	3500,4100,5000
100	100000	8000	<.5 SEC	80	3500,4100,5000

Wattage	Lamp Life	Lumens	Start Time	CRI	Kelven Temp
100w Lamp - 150w Ballast	100000	11,000	<.5 SEC	80	3500,4100,5000

Typical ordering number

**JK-100-IND-SUBZERO-VOLT**

Also available in HID applications

Prefix	Wattage	Lamp Type	Fixture Type	Voltage	Options
JK	55 W 80 W 85 W 100 W	IND = Induction	Subzero	120v 277v	-F = In-Line Fuse -S = Sensor

Lamp Included