



Lighting Systems

Small Wallpack HID

Features

The JK Lighting small wall pack is UL listed for wet locations.

Housing

The housing is manufactured of heavy duty die cast aluminum with a powder coated bronze finish and a hinged poly carbonate diffuser. Other colors are available upon request. A weatherproof silicone gasket is present for moisture and dust proof protection. Threaded 1/2" apertures are for securing conduit and photo control installation.

Applications

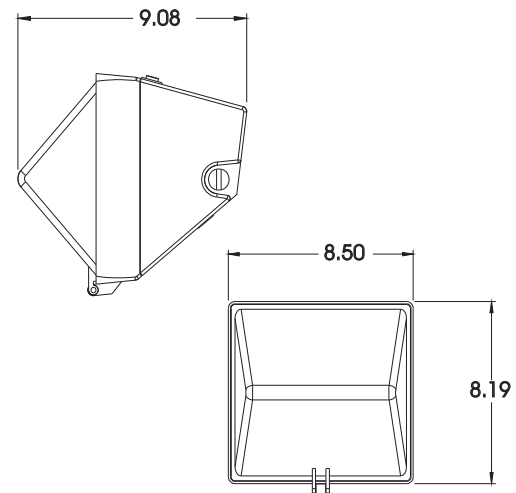
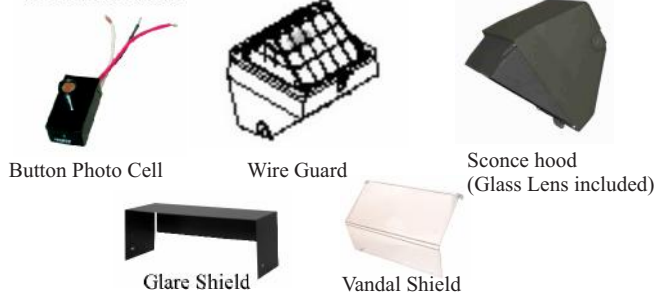
Warehouse facilities
Shipping and receiving areas
Cold Storage facilities
Industrial plants



ISO9002 Compliant



Accessories



Select an appropriate choice from each column

Typical ordering number

JK-100-MH-SWP-120v-PC

Also available in CFL applications

Prefix	Wattage	Lamp Type	Fixture Type	Voltage	Options
JK	35 50 70 100	HPS = High Pressure Sodium MH = Metal Halide PSMH = Pulse Start Metal Halide	SWP = Small Wallpack	120v 277v MT	PC = Photocell WG = Wire Guard F = In-Line Fuse SC = Sconce Hood VS = Vandal Shield GS = Glare Shield

SPECIAL NOTE:
When Ordering a Photocell voltage must be designated

Lamp Included