



# Lighting Systems

## Medium Wallpack

### Features

The JK Lighting medium wall pack is UL listed for wet locations.

### Housing

The housing is manufactured of heavy duty die cast aluminum with a powder coated dark bronze finish and a hinged door frame. A weatherproof silicone gasket is present for moisture and dust proof protection. Fixture includes a anodized aluminum reflector and high impact heat resistant borosilicate glass for optimum light distribution. Housing comes with threaded 1/2" apertures for securing conduit and or photo cell installation. Fixture wall-mounts directly over 4" outlet box.

### Applications

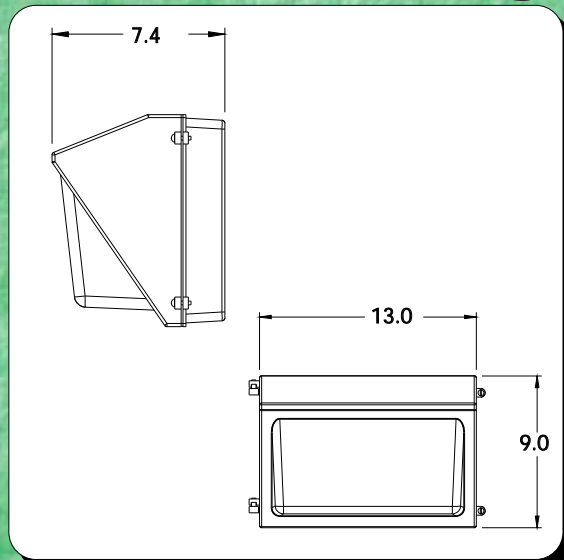
- Warehouse facilities
- Shipping and receiving areas
- Cold storage facilities
- Industrial plants
- Commercial buildings



ISO9002 Compliant



### Accessories



Select an appropriate choice from each column

Typical ordering number

**JK-175-MH-MWP-MT-PC**

Also available in CFL applications

Prefix	Wattage	Lamp Type	Fixture Type	Voltage	Options
JK	50 70 100 150 175	HPS = High Pressure Sodium  MH = Metal Halide  PSMH = Pulse Start Metal Halide	MWP = Medium Wallpack	120v MT 480v	PC = Photocell WG = Wire Guard F = In-Line Fuse GS = Glare Shield SC = Sconce Hood VS = Vandal Shield QRS = Quartz Restrike HPF = High Power Factor

**SPECIAL NOTE:**  
When Ordering a Photocell voltage must be designated

## Lamp Included