



JK SERIES LINEAR

Lighting Systems



Application

- Companion luminaire to the 850 suspended linear luminaire
- Wall mount indirect luminaire with forward throw optics
- Corridors or small offices needing indirect lighting
- Hospital corridors

Finishes

- Housing: Bare 20 gauge formed steel housing in solid or perforated patterns
- Customer to source local powder coating facilities for housing and die cast aluminum end caps

Reflector:

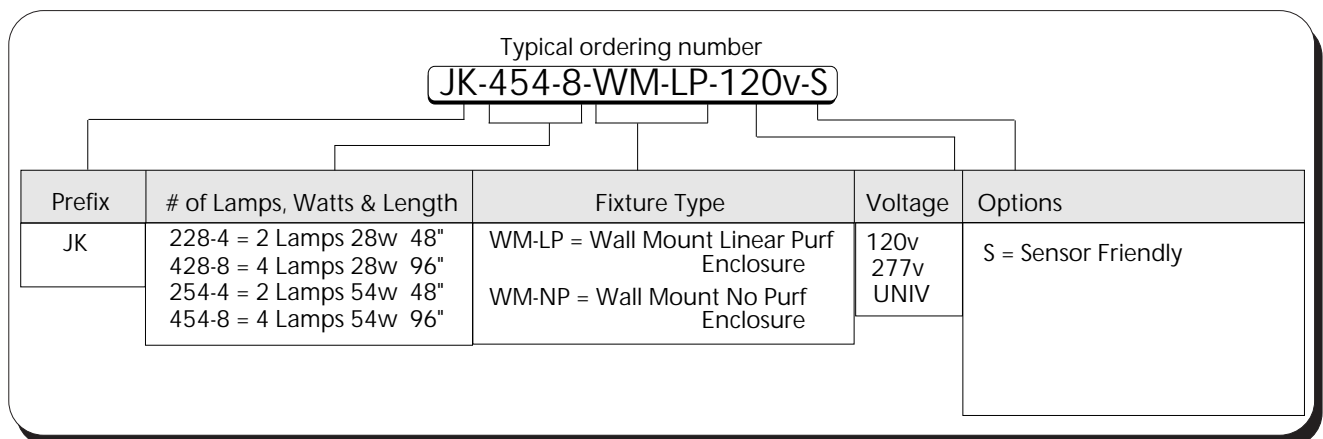
- Enhanced aluminum

Features

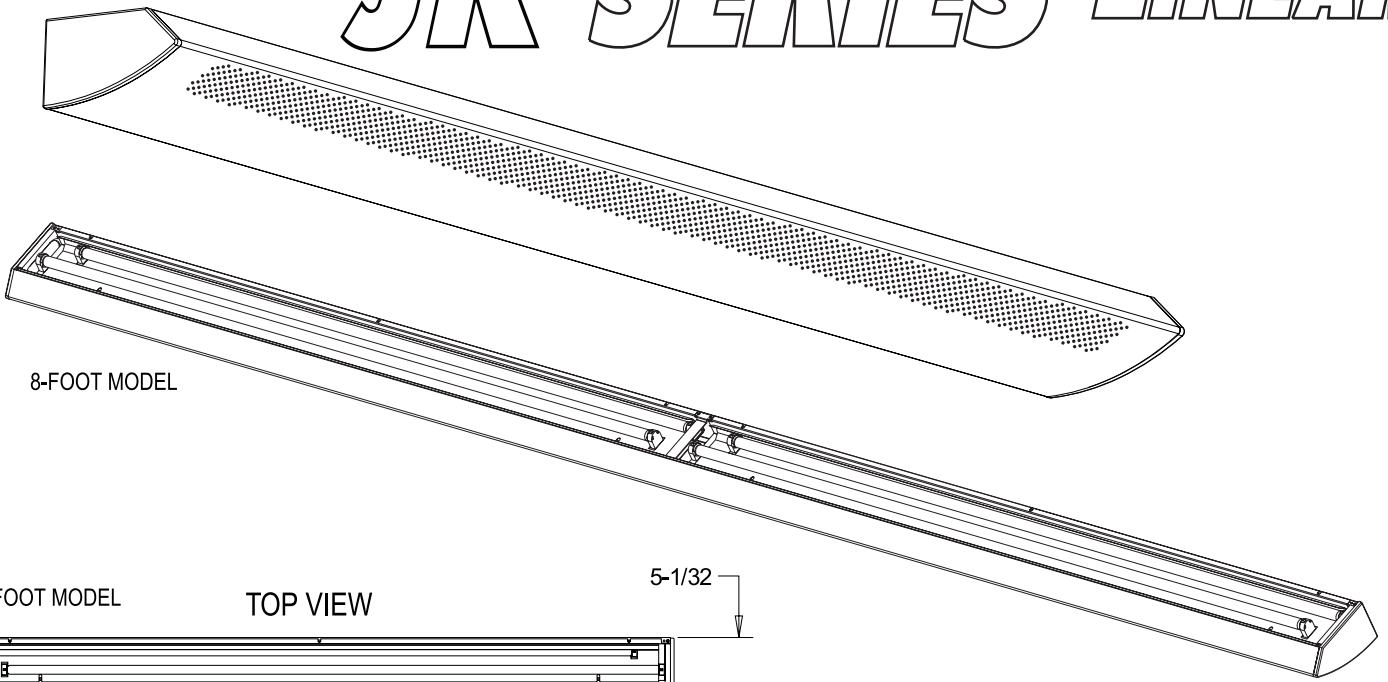
- Units are shipped with die cast aluminum joiners installed for structural continuity and for attaching other units for continual runs or end caps.
- The units mount to a wall bracket that compensates for uneven surfaces and allows for recessed electrical boxes. The units are 49-1/2 long and two are needed with an eight foot housing.
- A computer designed optical system maximizes the output of 2 -T5 or 2-T8 (Series 885) lamps, producing minimal back-lighting on the wall and maximum forward throw.
- Ballast mounting assembly provides openings for easy installation of the T5 lampholders.
- Architectural die cast aluminum ends are available for a complete designer look.

Optional Features

Custom modifications in the physical specification and color are available for this fixture.



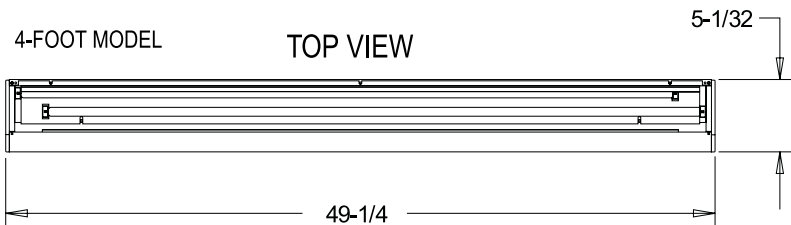
JK SERIES LINEAR



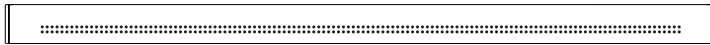
8-FOOT MODEL

4-FOOT MODEL

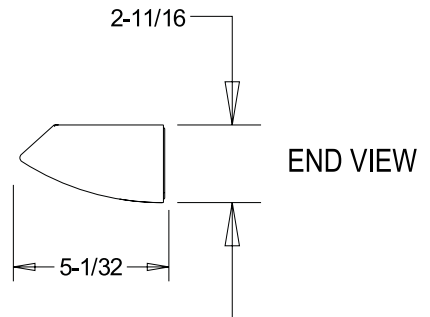
TOP VIEW



FRONT VIEW



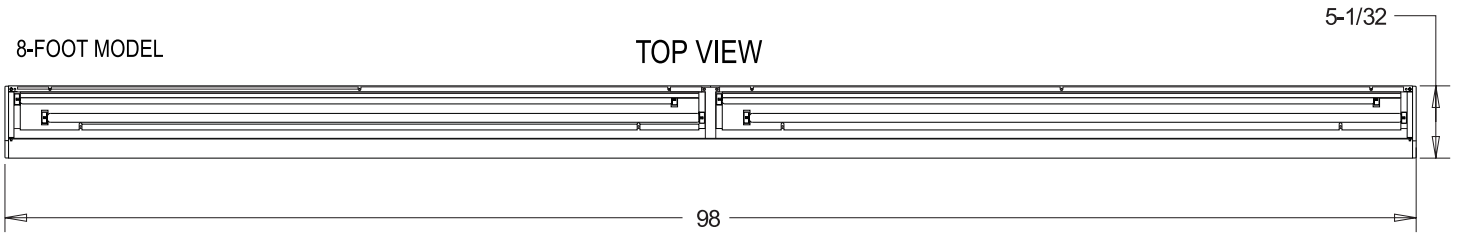
2-11/16



END VIEW

8-FOOT MODEL

TOP VIEW



FRONT VIEW



T5	
SIZE	LENGTH
(2) 54W	49-1/4
(4) 54W	98

REV 10-24-07