



Features

The JK Lighting Large Flood is UL listed for wet locations. It is available with a 2-inch slipfitter, yoke, or 6-inch arm for several mounting applications. Threaded 1/2" apertures allow easy installation of photo cell and securing conduit.

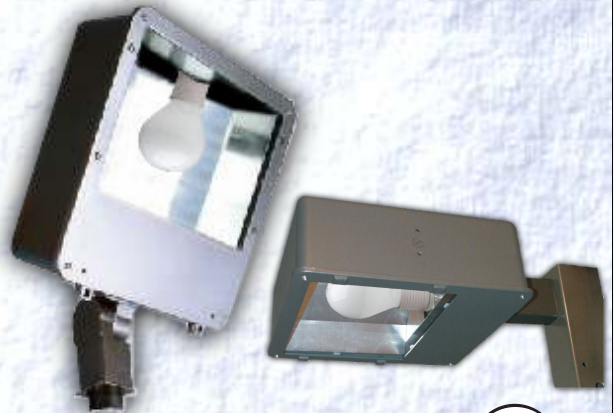
Housing

The housing is manufactured of heavy duty die cast aluminum and is powder-coated dark bronze, with a tempered glass hinged door. The fixture has an anodized aluminum reflector and a silicone gasket for moisture and dust proof protection. Other colors are available upon request.

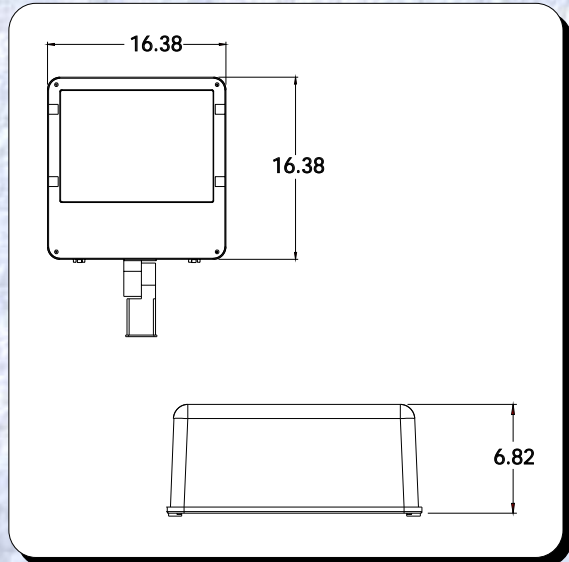
Applications

- Parking lots
- Roof lighting
- Sign lighting
- Area lighting
- Architectural lighting
- Security lighting

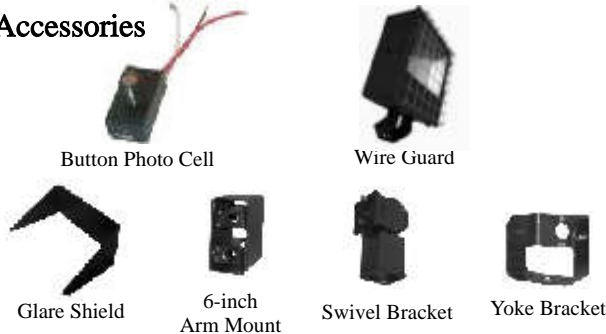
Available in Flood or Shoebox style



ISO9002 Compliant



Accessories



Select an appropriate choice from each column

Typical ordering number

JK-100-IND-LFL-V-SA

Prefix	Wattage	Lamp Type	Fixture Type	Voltage	Options
JK	80 85 100	IND = Induction 100,000 Hours	LFL = Large Flood Light	120v 277v	SA = Straight Arm Y = Yoke SF = Slip Fitter PC = Photocell

SPECIAL NOTE:
When Ordering a Photocell the voltage must be designated.

Swivel or Yoke bracket included

Lamp Included