



Features

The JK Lighting Large Deep wall pack is UL listed for wet locations.

Housing

The housing is manufactured of heavy duty die cast aluminum with a powder coated dark bronze finish and a hinged door frame. A weatherproof silicone gasket is present for moisture and dust proof protection. Fixture includes a anodized aluminum reflector and high impact heat resistant borosilicate glass for optimum light distribution. Housing comes with threaded 1/2" apertures for securing conduit and or photo cell installation. Fixture wall-mounts directly over 4" outlet box.

Applications

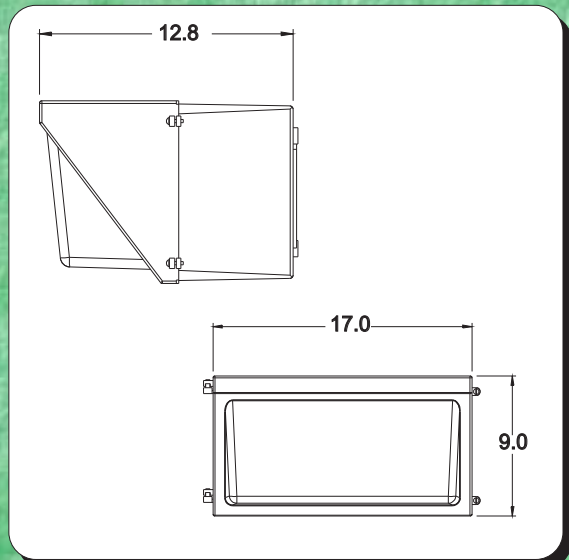
- | | |
|------------------------------|---------------------------------|
| Warehouse facilities | Parking areas |
| Shipping and receiving areas | Entrances and walkways |
| Cold storage facilities | Water fronts |
| Industrial plants | Loading platforms |
| Commercial buildings | Parks, other recreational areas |



ISO9002 Compliant



Accessories



Select an appropriate choice from each column

Typical ordering number
JK-400-MH-LDWP-MT-PC

Also available in Induction applications

| Prefix | Wattage | Lamp Type | Fixture Type | Voltage | Options |
|--------|---|--|----------------------------|--------------------|---|
| JK | 150 175 200 250 320 350 400 | HPS = High Pressure Sodium MH = Metal Halide PSMH = Pulse Start Metal Halide | LDWP = Large Deep Wallpack | 120v MT 480v | PC = Photocell WG = Wire Guard F = In-Line Fuse GS = Glare Shield SC = Sconce Hood VS = Vandal Shield QRS = Quartz Restrike |

SPECIAL NOTE:
 When Ordering a Photocell voltage must be designated

Lamp Included