



Features

The JK Lighting Horizontal Flood is UL listed for wet locations. It is available with a 2-inch slipfitter, yoke, or 6-inch arm for several mounting applications.

Housing

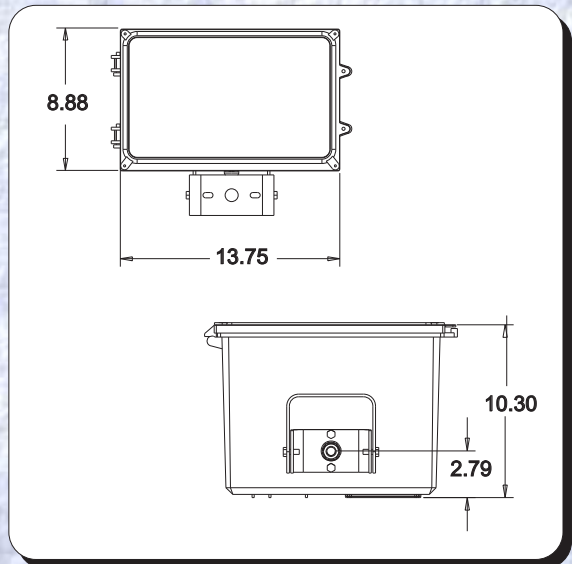
The housing is manufactured of heavy duty die cast aluminum and is powder-coated dark bronze, with a tempered glass hinged door. The fixture has a polished aluminum reflector and a silicone gasket for moisture and dust proof protection. Other colors are available upon request.

Applications

- Parking lots
- Roof lighting
- Sign lighting
- Area lighting
- Architectural lighting
- Security lighting



ISO9002 Compliant



Accessories



Wattage	Lamp Life	Lumens	Start Time	CRI	Kelven Temp
100	100000	8000	<.5 SEC	80	3500,4100,5000

Select an appropriate choice from each column

Typical ordering number

JK-1000-IND-HFL-120-PC-YB

Prefix	Wattage	Lamp Type	Fixture Type	Voltage	Options
JK	100	IND= Induction	HFL = Horizontal Flood Light	120v	PC= Photocell WG = Wire Guard GS= Glare Shield F = In-Line Fuse YB = Yoke Bracket SA = Side Arm SB = Swivel Bracket VS= Vandal Shield

SPECIAL NOTE:
When Ordering a Photocell the voltage must be designated.

Lamp Included

Swivel or Yoke bracket included