



Lighting Systems

Garage Lighter

Features

The JK Lighting Garage Lighter is UL listed.

Housing

The housing is manufactured of heavy duty die cast aluminum with a powder coat dark bronze finish .

A weatherproof silicone gasket is present to Prevent leakage form the outside. It is also equipped with a threaded 1/2" aperture for securing conduit. The clear poly carbonate diffuser is multi-patterned,injection molded, and UV inhibited.

Applications

- Canopy areas
- Shopping malls
- Terminals
- Public buildings
- Convenience stores



ISO9002 compliant

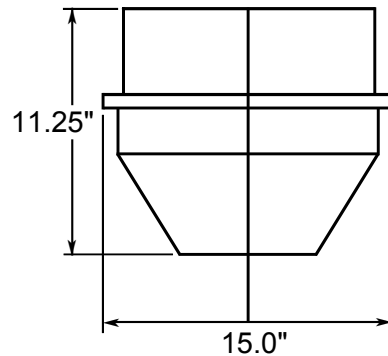


Options :

Photocell



In-Line Fuse



Typical ordering number

JK-GL-175-PSMH-MT-PC

Also available in Induction applications

Prefix	Fixture Type	Wattage	Lamp Type	Voltage	Options
JK	GL = Garage Lighter	80 100 150 175	HPS = High Pressure Sodium MH = Metal Hallide PSMH = Pulse Start Metal Hallide	120v - 277v MT 480v Available	PC = Photocell F = In-Line Fuse SPECIAL NOTE: When Ordering a Photocell the voltage must be designated.