



Features

The JK Lighting Cobra Heads are UL listed for wet locations.

Housing

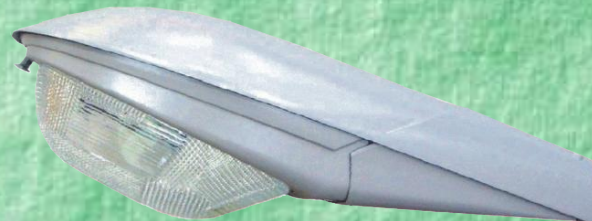
The housing is manufactured of a heavy duty die cast aluminum with powder coated bronze finish and a hinged door frame. A weather proof silicone gasket is present for moisture and dust proof protection. Fixture includes a anodized aluminum reflector and high impact heat resistant borosilicate glass for optimum light distribution. Housing comes with two different glass configurations flat and domed.

Applications

- Shipping and receiving areas
- Industrial plants
- Commercial buildings
- Road way applications



ISO9002 Compliant

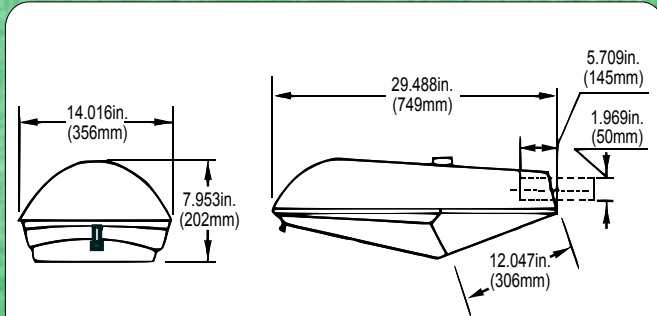
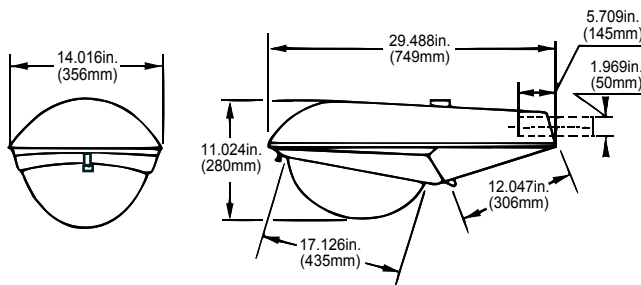


Options :

Photocell



In-Line Fuse



Select an appropriate choice from each column

Typical ordering number
JK-175-MH-COBRA-120-DM-PC

Prefix	Wattage	Lamp Type	Fixture Type	Voltage	Optical Configurations	Options
JK	150 175 250 320 350 400	HPS = High Pressure Sodium MH = Metal Halide PSMH = Pulse Start Metal Halide	COBRA= Cobra Head	120v MT 480v	PC = Photocell DM = Dome Glass	PC = Photocell F = In Line Fuse

SPECIAL NOTE:
 When Ordering a Photocell the voltage must be designated.

Lamp Included