



# Lighting Systems

## 22" Aluminum Low Bay LOW PROFILE

### Features

The JK Lighting 22" aluminum low bay fixtures is UL listed for damp locations. The Jk Lighting adjustable bracket design (optional) allows for easy adjustment of reflector for different photometric patterns. The metal spun reflector is powder coated white. The diffuser is a high impact UV stabilized acrylic refractor for wide spread light distribution.

### Housing

The housing is manufactured of a heavy duty die cast aluminum with a white powder coat finish. A junction box attaches to the top of the housing and includes a slide plate for weight distribution. The junction box allows for a 3/4" hook or pendant mount installation. Housing is easily accessible for future ballast replacement.

### Applications

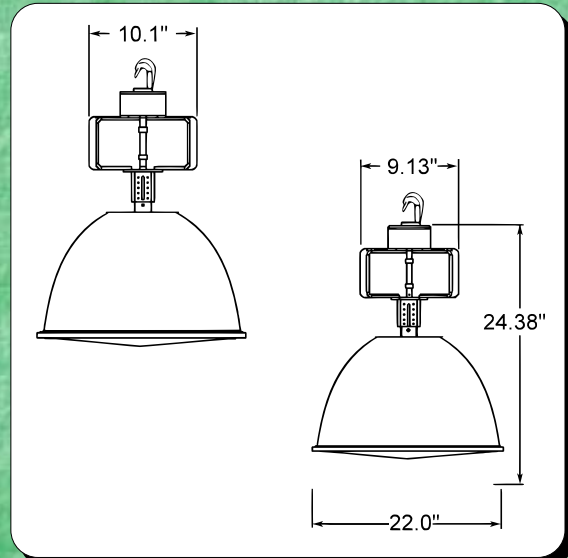
Warehouse facilities  
Commercial buildings  
Shipping and receiving areas  
Cold storage facilities  
Industrial plants



ISO9002 Compliant



### Accessories



Select an appropriate choice from each column

Typical ordering number

**JK-400-MH-ALLB22-MT-QRS**

Prefix	Wattage	Lamp Type	Fixture Type	Voltage	Options
JK	150 175 200 250 320 350 400	HPS = High Pressure Sodium  MH = Metal Halide  PSMH = Pulse Start Metal Halide	ALLB22= Aluminum Low Bay 22 inch	120v MT 480v	QRS = Quartz Restrike MP = MH Protected Lamp HCP = Hook, Cord, Plug GL = 16" Glass AFL = 16" Acrylic Flat Lens BL = Bi-Level F = In-Line Fuse AB = Adjustable Bracket WG = Wire Guard SPM = Swivel Pendant Mount SC = Safety Chain

## Lamp Included