



Lighting Systems

22" Aluminum High Bay 250 w to 450 w

Features

The JK Lighting 22" aluminum high bay fixture is UL listed for damp locations. Adjustable bracket design (optional) allows for easy adjustment of reflector for different photometric patterns. The 22" heavy duty reflector is brightened and anodized for optimum reflectance.

Housing

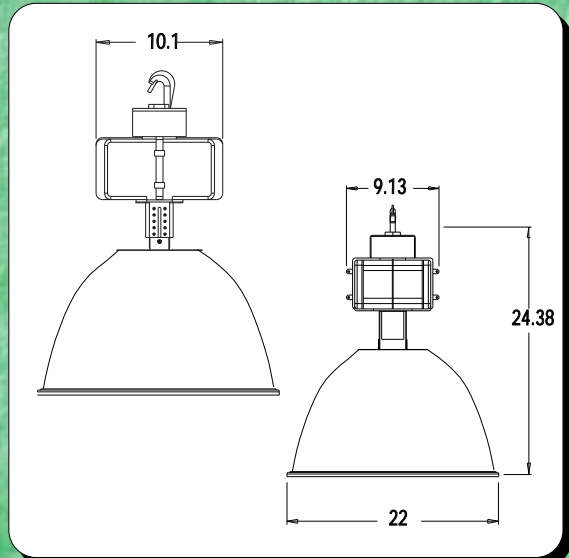
The housing is manufactured of a heavy duty die cast aluminum with a white powder coat finish. A junction box attaches to the top of the housing and includes a slide plate for weight distribution. The junction box allows for a 3/4" hook or pendant mount installation. Housing is easily accessible for future ballast replacement.

Applications

- Warehouse facilities
- Commercial buildings
- Shipping and receiving areas
- Cold storage facilities
- Industrial plants



ISO9002 Compliant



Accessories



Select an appropriate choice from each column

Typical ordering number

JK-450-MH-ALHB22-MT-QRS

Prefix	Wattage	Lamp Type	Fixture Type	Voltage	Options
JK	250 320 350 400 450	HPS = High Pressure Sodium MH = Metal Halide PSMH = Pulse Start Metal Halide	ALHB22= Aluminum High Bay 22 inch	120v MT 480v	QRS = Quartz Restrike MP = MH Protected Lamp HCP = Hook, Cord, Plug GL = 16" Glass AFL = 16" Acrylic Flat Lens BL = Bi-Level F = In-Line Fuse AB = Adjustable Bracket WG = Wire Guard SPM = Swivel Pendant Mount SC = Safety Chain

Lamp Included