



Features

The JK Lighting 22" conical acrylic low bay fixture is UL listed for damp locations. The JK Lighting adjustable bracket design (optional) allows for easy adjustment of reflector for different photometric patterns. The acrylic reflector has a 92.5 total luminaries efficiency and is best suited for light colored ceilings due to its inherent up light components.

Housing

The housing is manufactured of a heavy duty die cast aluminum with a white powder coat finish. A junction box attaches to the top of the housing and includes a slide plate for weight distribution. The junction box allows for a 3/4" hook or pendant mount installation. Housing is easily accessible for future ballast replacement.

Applications

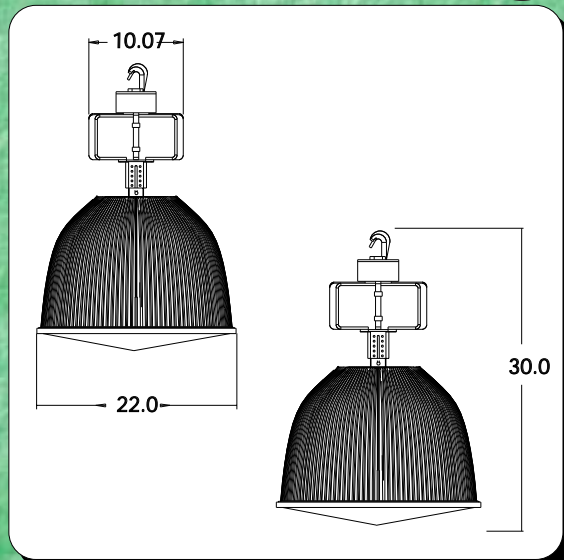
- Warehouse facilities
- Commercial buildings
- Shipping and receiving areas
- Cold storage facilities
- Industrial plants



ISO9002 Compliant



Accessories



Select an appropriate choice from each column

Typical ordering number

JK-400-MH-ACLB22-MT-QRS

Prefix	Wattage	Lamp Type	Fixture Type	Voltage	Options
JK	150 175 200 250 320 350 400	HPS = High Pressure Sodium MH = Metal Halide PSMH = Pulse Start Metal Halide	ACLB22= Acrylic Low Bay 22 inch	120v MT 480v	QRS = Quartz Restrike MP = MH Protected Lamp HCP = Hook, Cord, Plug GL = 16" Glass AFL = 16" Acrylic Flat Lens BL = Bi-Level F = In-Line Fuse AB = Adjustable Bracket WG = Wire Guard SPM = Swivel Pendant Mount SC = Safety Chain

Lamp Included