



# Lighting Systems

## 22" Acrylic CFL High Bay

### Features

The JK Lighting 22" acrylic high bay fixtures is UL listed for damp locations. The acrylic reflector has 92.5 total luminaries efficiency and is best suited for light colored ceilings due to its inherent up-light componets.

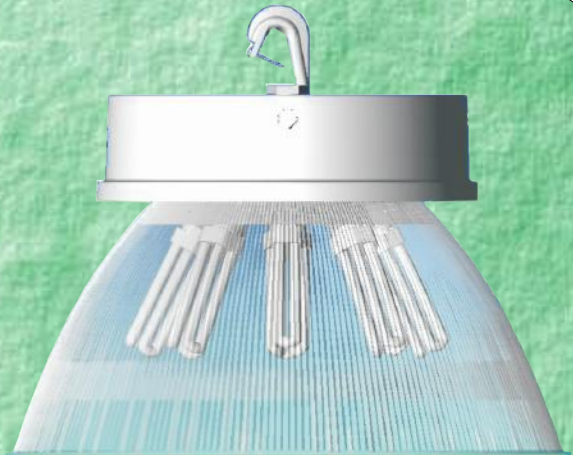
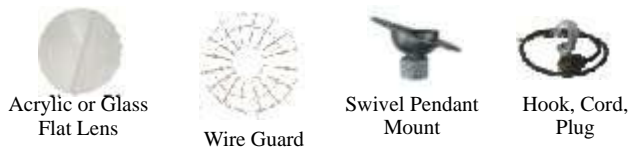
### Housing

The housing is manufactured of a heavy duty die cast aluminum with a white powder coat finish and allows for a 3/4" hook and pendant mount installation. Housing is easily accessible for future ballast replacement.

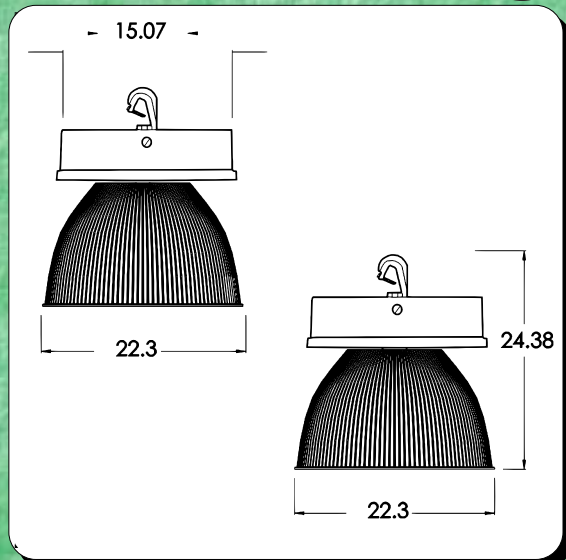
### Applications

- Warehouse facilities
- Commercial buildings
- Shipping and receiving areas
- Cold storage facilities
- Industrial plants

### Accessories



ISO9002 Compliant



Select an appropriate choice from each column

Typical ordering number

**JK-336-CFL-ACHB22-MT-SPM**

Prefix	Wattage	Lamp Type	Fixture Type	Voltage	Options
JK	208 (8x26w) 256 (8x32w) 336 (8x42w)	CFL = Compact Flourecent	ACHB22= Acrylic High Bay 22 inch	120v MT	SPM = Swivel Pendant Mount HCP = Hook, Cord, Plug GL = 22" Glass AFL = 22' Acrylic Flat Lens BL = Bi-Level F = In-Line Fuse

## Lamp Included