



# Lighting Systems

## 16" Acrylic Low Bay

### Features

The JK Lighting 16" acrylic low bay fixture is UL listed for damp locations. The Jk Lighting adjustable bracket design (optional) allows for easy adjustment of reflector for different photometric patterns. The acrylic reflector has a 92.5 total luminaries efficiency and is best suited for light colored ceilings due to its inherent upright components.

### Housing

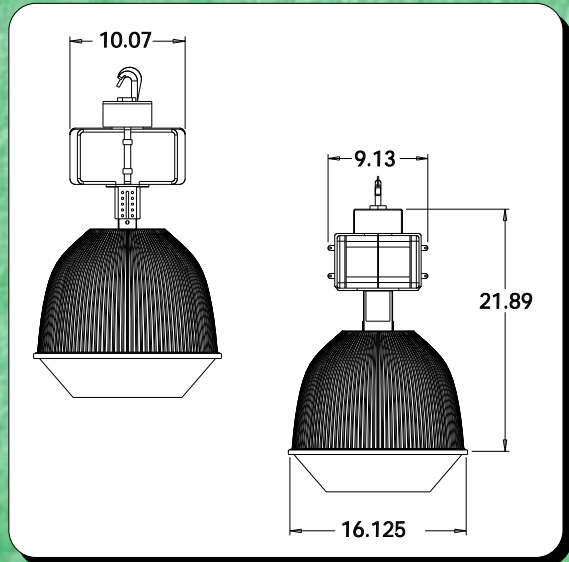
The housing is manufactured of a heavy duty die cast aluminum with a white powder coat finish. A junction box attaches to the top of the housing and includes a slide plate for weight distribution. The junction box allows for a 3/4" hook or pendant mount installation. Housing is easily accessible for future ballast replacement.

### Applications

- Warehouse facilities
- Commercial buildings
- Shipping and receiving areas
- Cold storage facilities
- Industrial plants



ISO9002 Compliant



### Accessories



Select an appropriate choice from each column

Typical ordering number

**JK-250-MH-ACLB16-MT-QRS**

Prefix	Wattage	Lamp Type	Fixture Type	Voltage	Options
JK	150 175 200 250 320 350 400	HPS = High Pressure Sodium  MH = Metal Halide  PSMH = Pulse Start Metal Halide	ACLB16= Acrylic Low Bay 16 inch	120v MT 480v	QRS = Quartz Restrike MP = MH Protected Lamp HCP = Hook, Cord, Plug GL = 16" Glass AFL = 16" Acrylic Flat Lens BL = Bi-Level F = In-Line Fuse AB = Adjustable Bracket WG = Wire Guard SPM = Swivel Pendant Mount SC = Safety Chain

## Lamp Included