



Lighting Systems

16" Acrylic Bi-level High Bay

Features

The JK Lighting bi-level system is simply the best on the market because it utilizes a state of the art digital circuit board power control instead of analog. It is UL listed for damp locations and has great benefits such as reduced lighting costs of up to 50%, it doesn't degrade HID lamp life, and can daisy chain up to ten luminaires. This unit will operate at 50% power until the area beneath is occupied so the light is only there when you need it. It features instant response switch to full power, adjustable operation, and sensor customization as well. The bi-levels digital board is so accurate that it never allows power to drop below 50%, thus lamp life is preserved. The best part is the RJ-11 cord between the power modules and sensor which allows for easy installation without conduit or direct wiring time. Just simply plug in the phone plug to the power module and sensor and everything is ready to go.

Housing

The housing is manufactured of a heavy duty die cast aluminum with a white powder coat finish. A junction box attaches to the top of the housing and includes a slide plate for weight distribution. The junction box allows for a 3/4" hook or pendant mount installation. Housing is easily accessible for future ballast replacement.

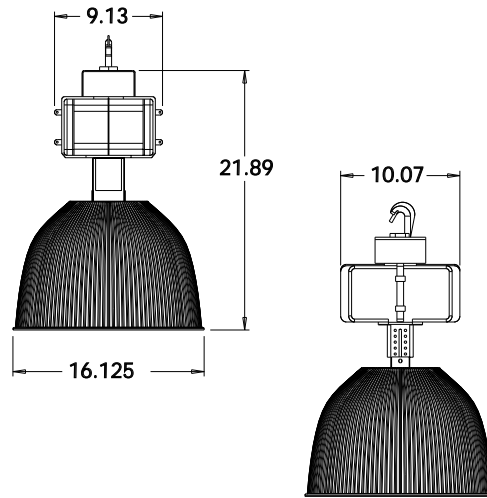
Applications

- Warehouse facilities
- Commercial buildings
- Shipping and receiving areas
- Cold storage facilities
- Industrial plants

Power Module

RJ-11 Cord

Sensor mounts right to the reflector



ISO9002 Compliant

Select an appropriate choice from each column

Typical ordering number

JK-400-MH-ACHB16-MT-BL

Prefix	Wattage	Lamp Type	Fixture Type	Voltage	Options
JK	150 175 200 250 320 350 400	HPS = High Pressure Sodium MH = Metal Halide PSMH = Pulse Start Metal Halide	ACHB22= Acrylic High Bay 22 inch	120v MT 480v	QRS = Quartz Restrike MP = MH Protected Lamp HCP = Hook, Cord, Plug GL = 16" Glass AFL = 16' Acrylic Flat Lens BL = Bi-Level F = In-Line Fuse AB = Adjustable Bracket RS = Remote Socket SPM = Swivel Pendant Mount

Lamp Included