

JK LIGHTING SYSTEMS



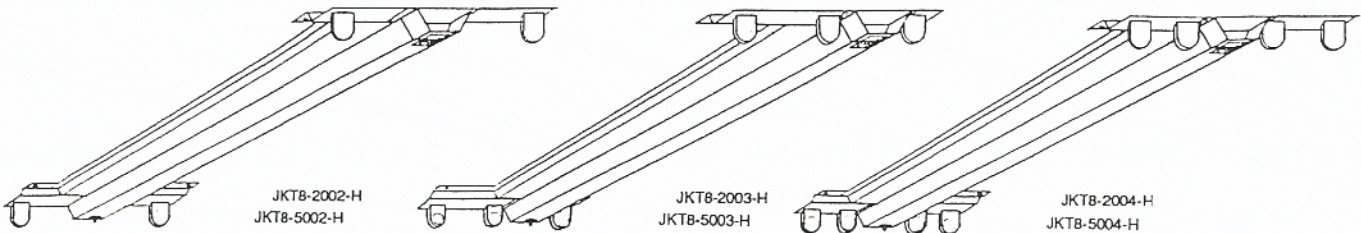
NEW FLUORESCENT LIGHTING FIXTURES AND CONVERSIONS

P.O. BOX 8867
STOCKTON, CA 95208
(209) 464-7539

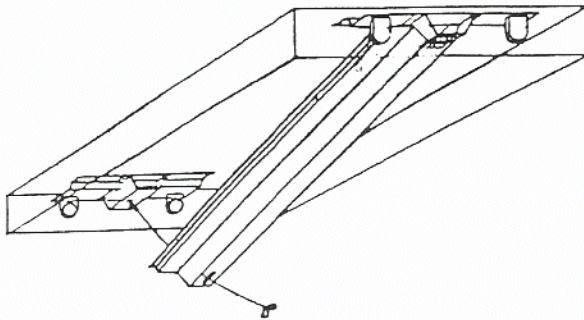
1707 EL PINAL
STOCKTON, CA 95205
FAX (209) 464-8656



2000 SERIES 2X4 FIXTURE CONVERSION 5000 SERIES 2X2 FIXTURE CONVERSION



HINGED BALLAST COVER



- HINGED UNIT IS PERFECT RETRO-FIT WHEN DELAMPING BY 1 LAMP, NO NEED TO MOVE THE EXISTING POWER SUPPLY.
- HINGED UNIT ALLOWS EASE OF ACCESS FOR ANY FUTURE SERVICE.

INSTALLATION - QUICK AND EASY

- 1ST - STRIP EXISTING FIXTURE BY REMOVING ALL DETACHABLE PARTS INCLUDING WIRING AND BALLAST.
- 2ND - CENTER UNIT INTO FIXTURE. SECURE HINGED SIDE WITH TEC SCREWS. LOOSEN WING NUT ON ADJUSTABLE END OF UNIT. SLIDE ADJUSTABLE SOCKET PLATE INTO POSITION AND SECURE WITH TEC SCREWS.
- 3RD - REMOVE WING NUT AND ALLOW HINGED BALLAST COVER TO SWING DOWN. CONNECT BALLAST POWER LEADS TO EXISTING POWER SUPPLY. SWING UP INTO POSITION AND REPLACE WING NUT. INSTALL LAMPS.

JK RETRO-FIT COMPLETE !!!