



Features

The JK Lighting Induction High Bay Fixtures are UL listed for damp locations. The Jk Lighting adjustable bracket design allows for easy adjustment of reflector for different photometric patterns.

The acrylic reflector has a 92.5 total luminaries efficiency and is best suited for light colored ceiling due to the inherent up-light componets.

Housing

The housing is manufactured of heavy duty extruded aluminum with grey powder coat finnish. A junction box attaches to the top of the housing and includes a skid plate for weight distribution. The junction box allows for a 3/4" hook and pendant mount installation. Housing is easiley accessible for future ballast replacement.

Applications

- Warehouse facilities
- Commercial buildings
- Shipping and recieving areas
- Cold storage facilities
- Industrial plants



ISO9002 Compliant



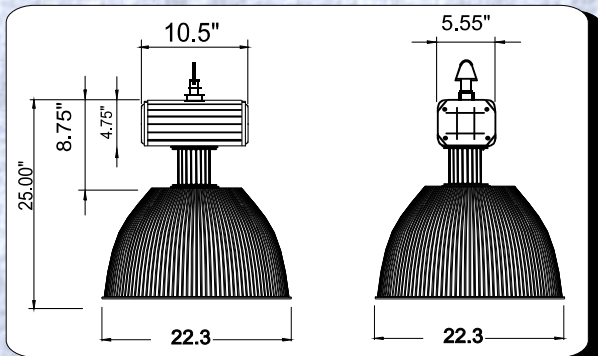
Accessories



Halo Lamp Configuration



Adjustable Lamp Base



Select an appropriate choice from each column

Typical ordering number

JK-200-IND-ACHB22-MT

Prefix	Wattage	Lamp Type	Fixture Type	Voltage	Options
JK	80 85 100 200	IND = Induction 100,000 Hours	ACHB22 = Acrylic High Bay 22 Inch	120v 277v	HPC = Hook, Cord, Plug GL = 22" Glass AFL = 22" Acrylic Flat Lens F = In Line Fuse WG = Wire Guard SPM = Swivel Pendant Mount SC = Safety Chain

Lamp Included